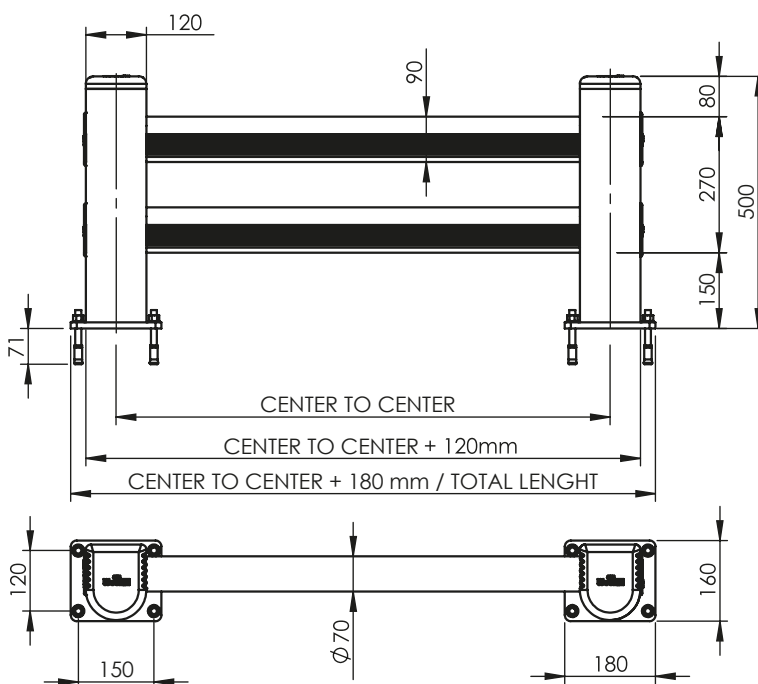
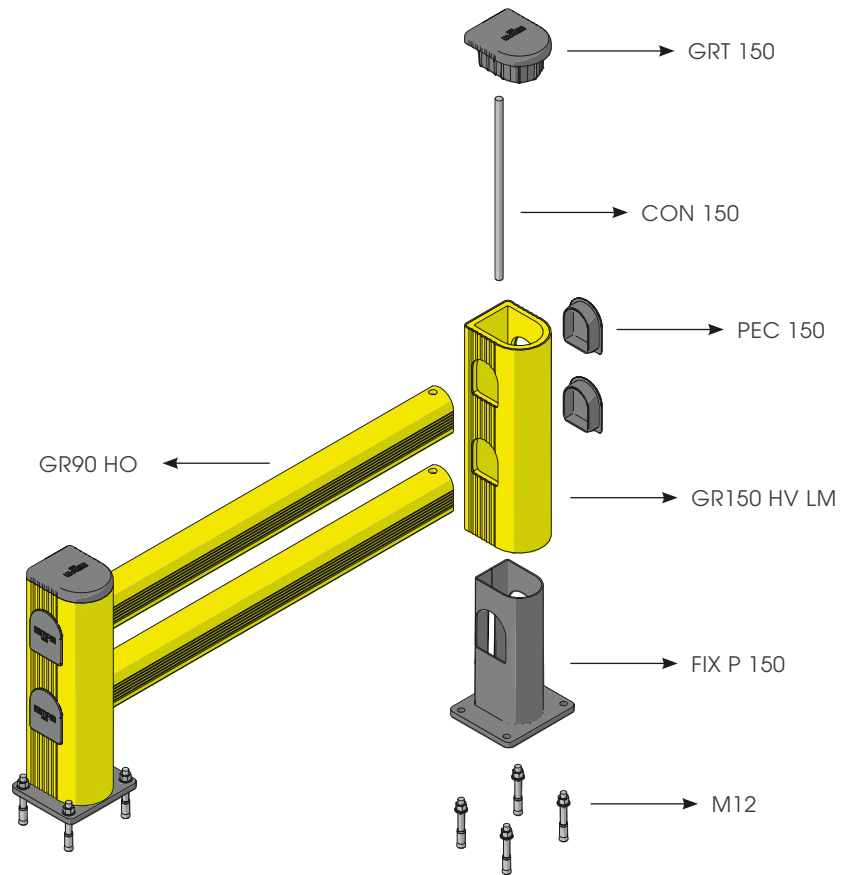


LM

DOUBLE RAIL BARRIER

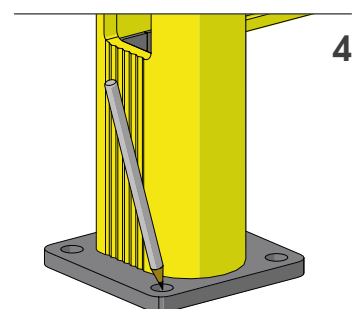
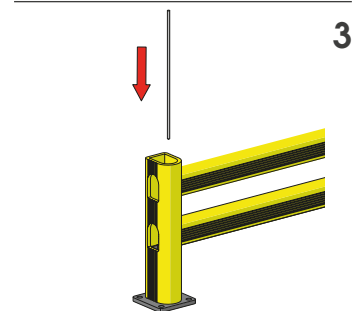
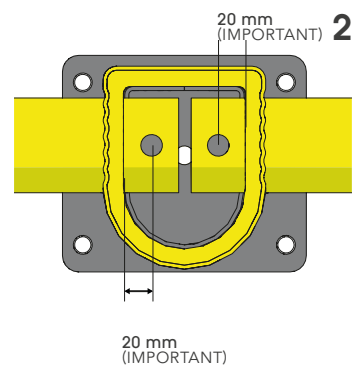
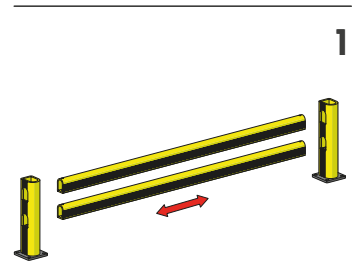
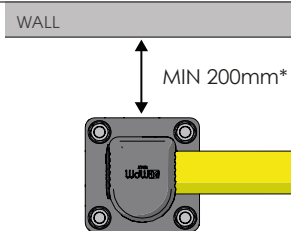
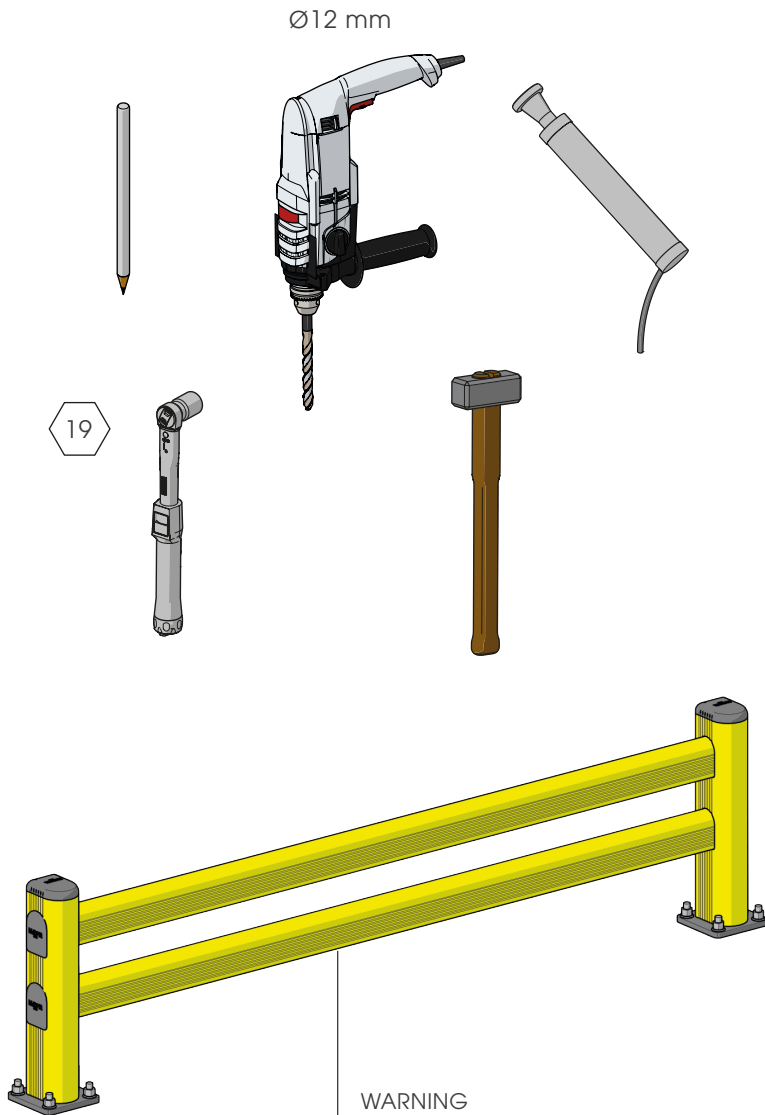


IMPACT TEST PASSED
according to
EN 15512:2009



LM

ASSEMBLY INSTRUCTIONS



LM

ASSEMBLY INSTRUCTIONS

