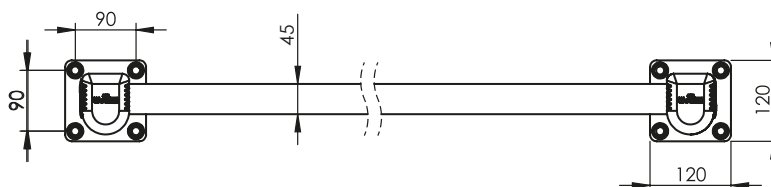
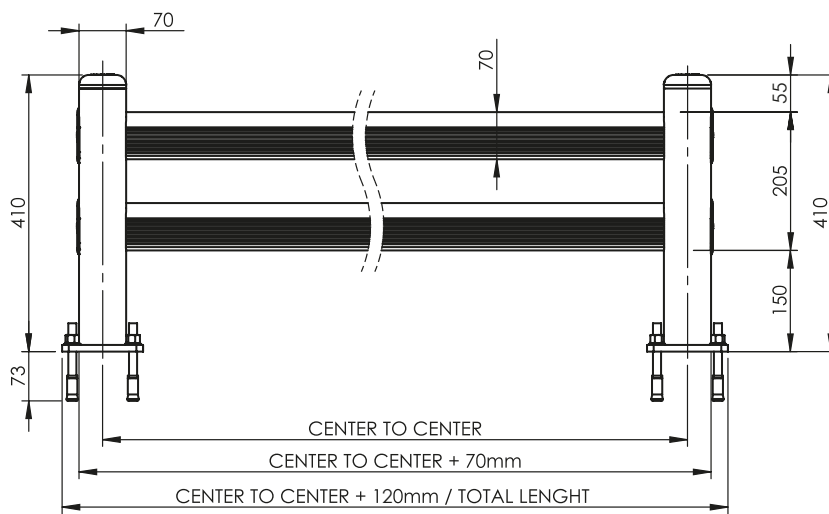
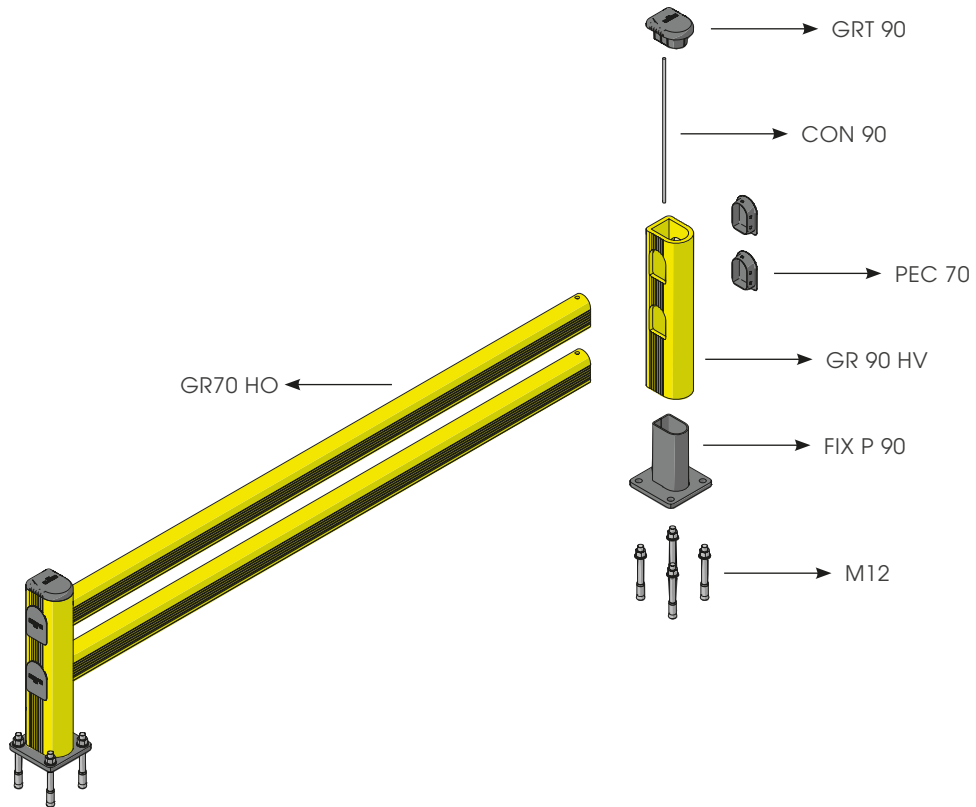


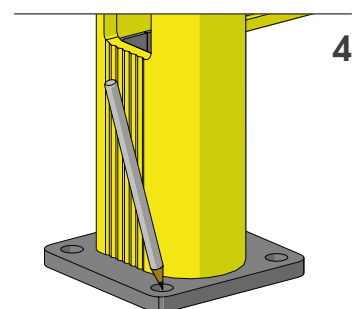
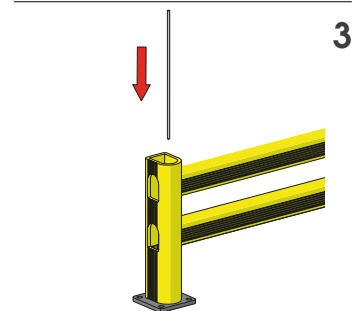
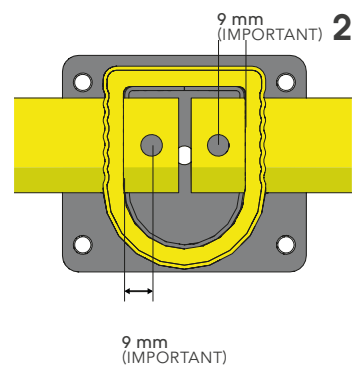
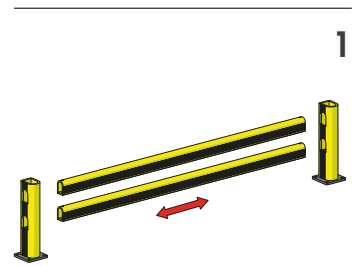
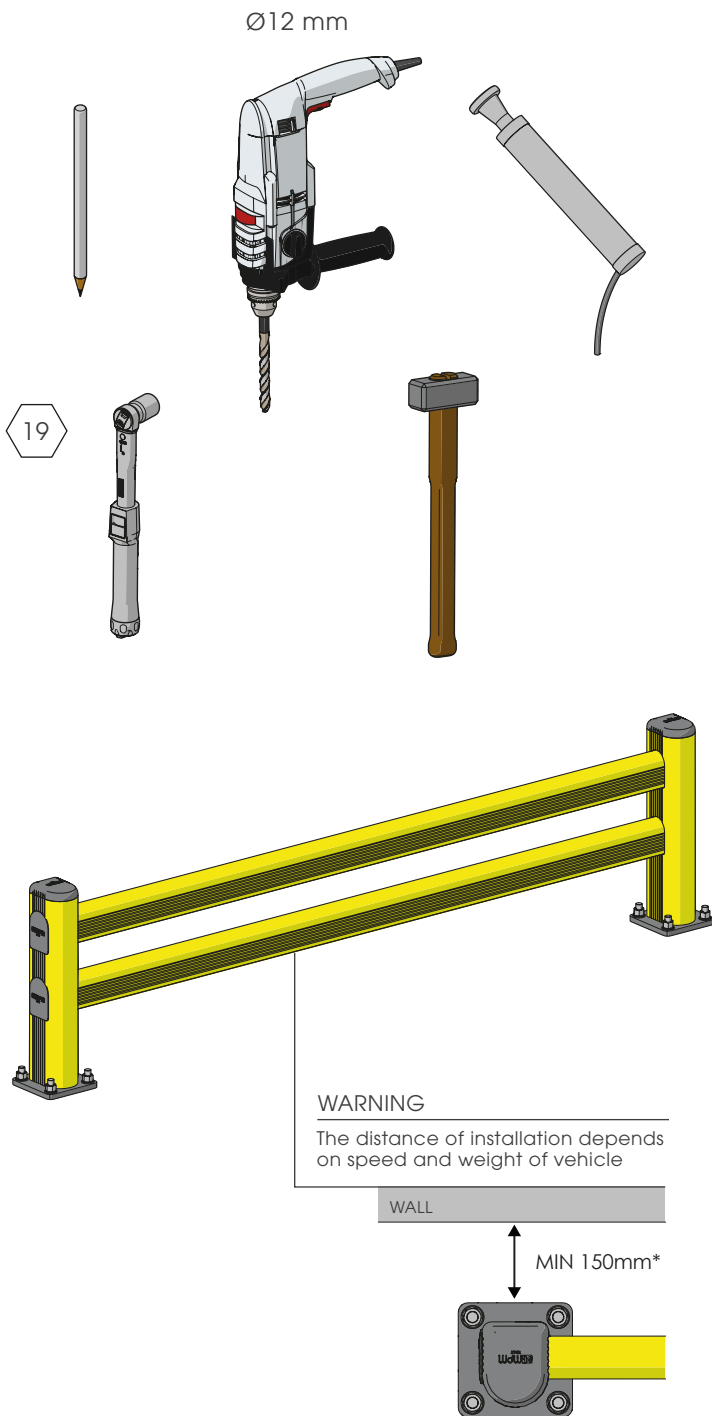
SM

DOUBLE RAIL BARRIER



SM

ASSEMBLY INSTRUCTIONS



SM

ASSEMBLY INSTRUCTIONS

