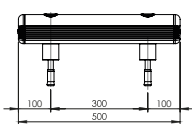
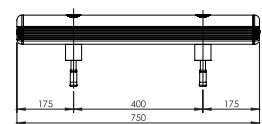
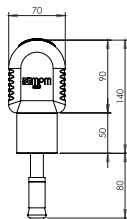
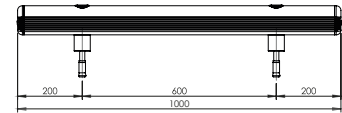
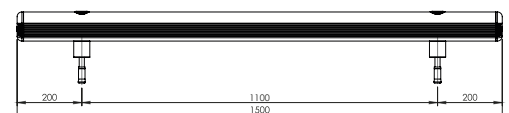
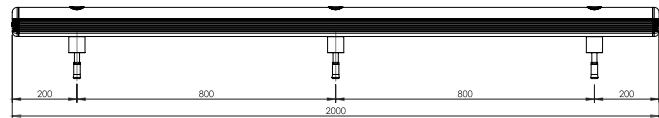
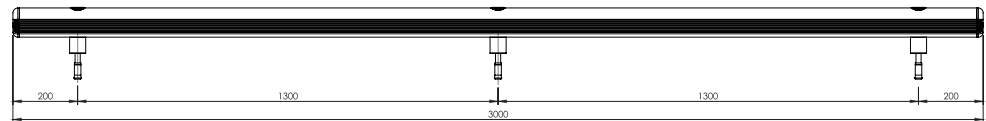
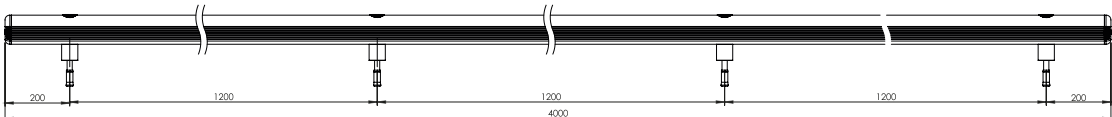
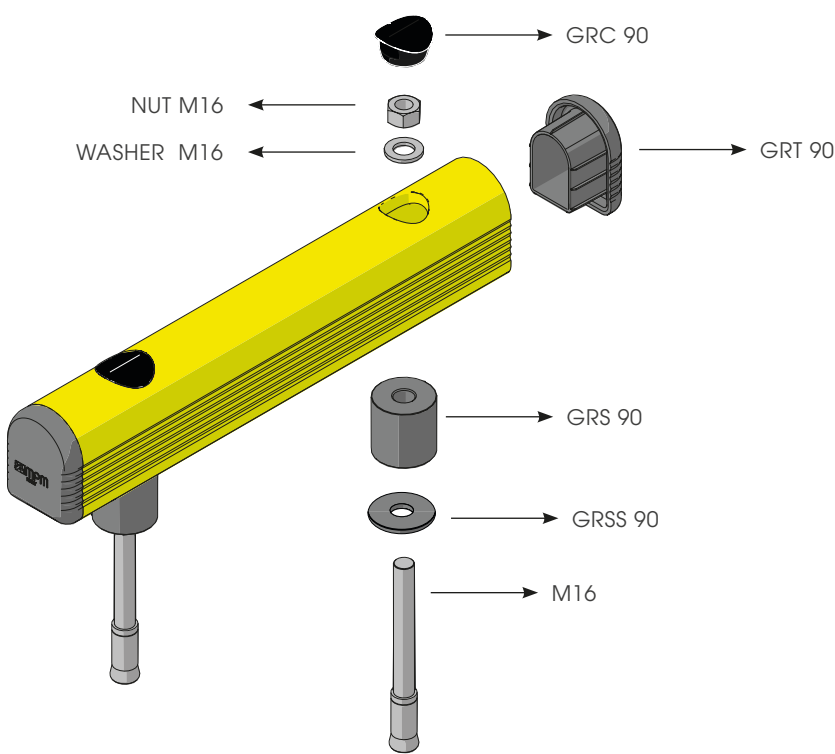


## GR 90

SINGLE-RAIL BARRIER



## GR 90

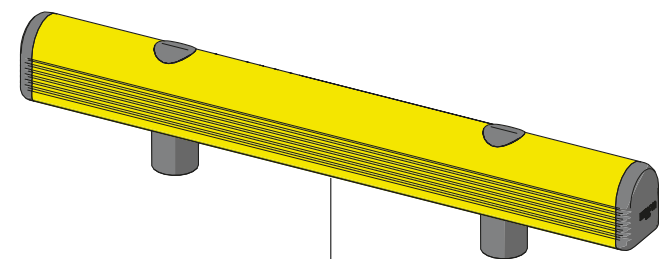
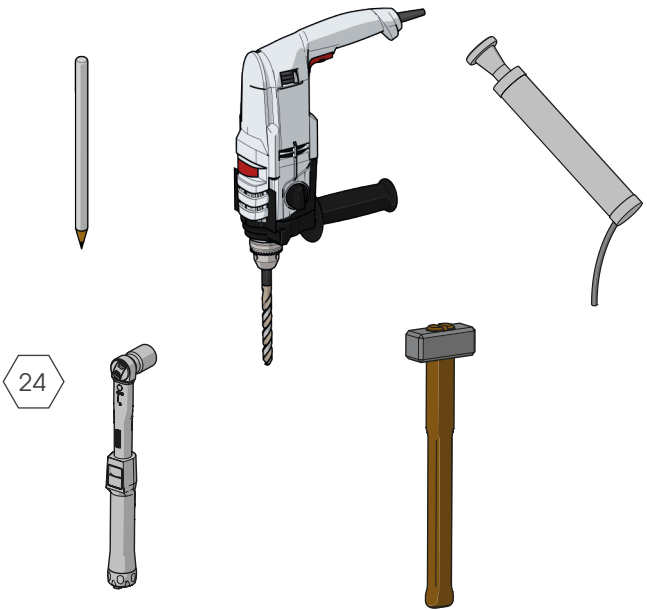
ISTRUZIONI DI INSTALLAZIONE  
ASSEMBLY INSTRUCTIONS



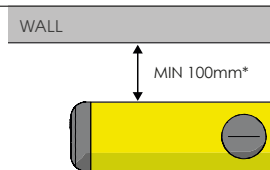
M16 GALVANISED STEEL

### WITH EXPANSION SCREW

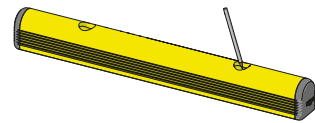
Ø16 mm



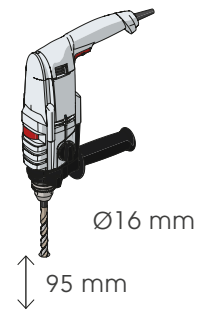
**WARNING**  
The distance of installation depends on speed and weight of vehicle



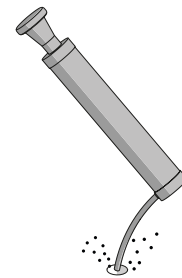
1



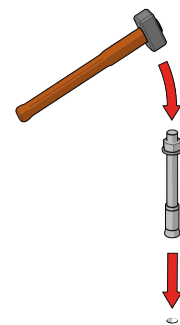
2



3



4



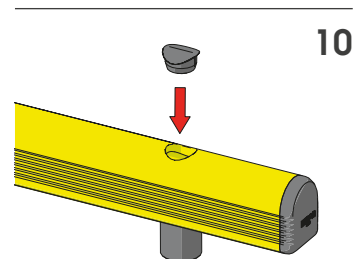
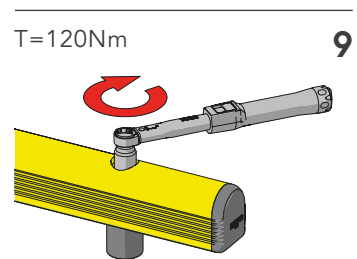
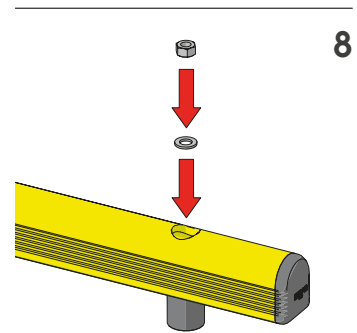
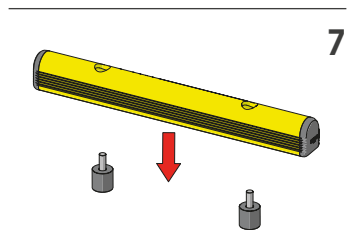
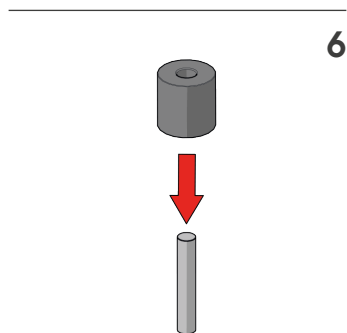
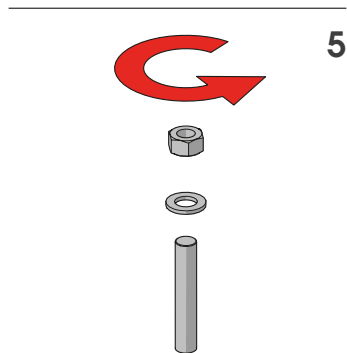
## GR 90

ISTRUZIONI DI INSTALLAZIONE  
ASSEMBLY INSTRUCTIONS



M16 GALVANISED STEEL

### WITH EXPANSION SCREW



## GR 90

ISTRUZIONI DI INSTALLAZIONE  
ASSEMBLY INSTRUCTIONS



SF16 INOX

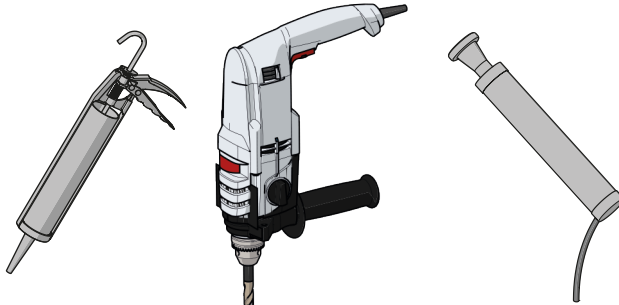


ANCHOR (FR)

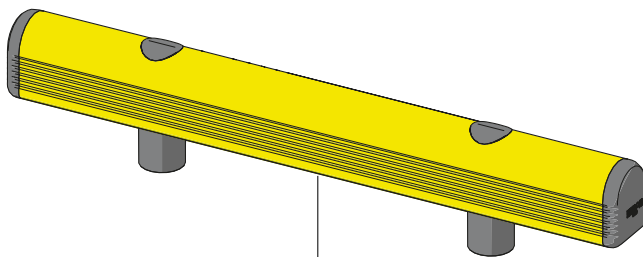
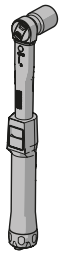
### WITH RESIN

CHEMICAL  
ANCHOR

Ø18 mm



24



#### WARNING

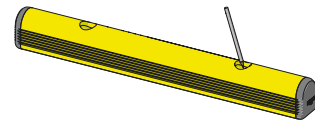
The distance of installation depends on speed and weight of vehicle

WALL

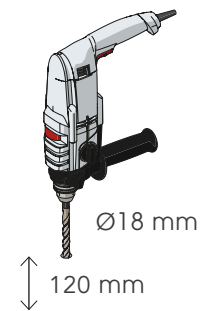
MIN 100mm\*



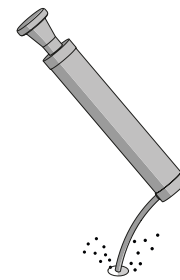
1



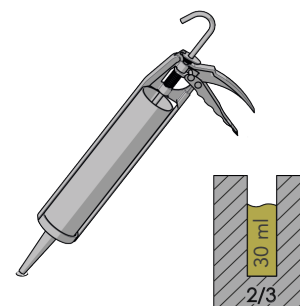
2



3

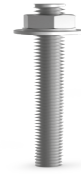


4



## GR 90

ISTRUZIONI DI INSTALLAZIONE  
ASSEMBLY INSTRUCTIONS



SF16 INOX



ANCHOR (FR)

WITH RESIN

