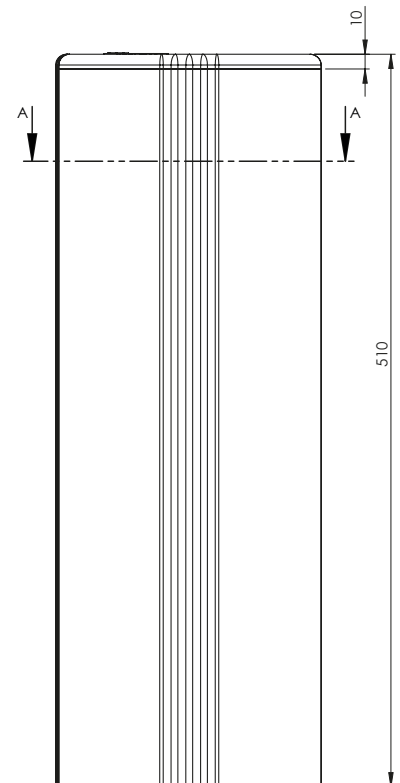
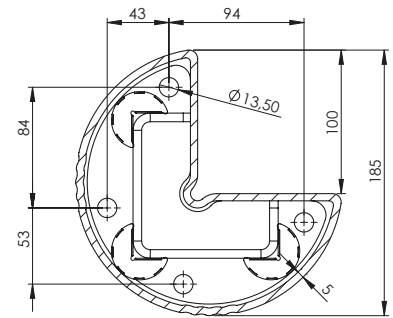
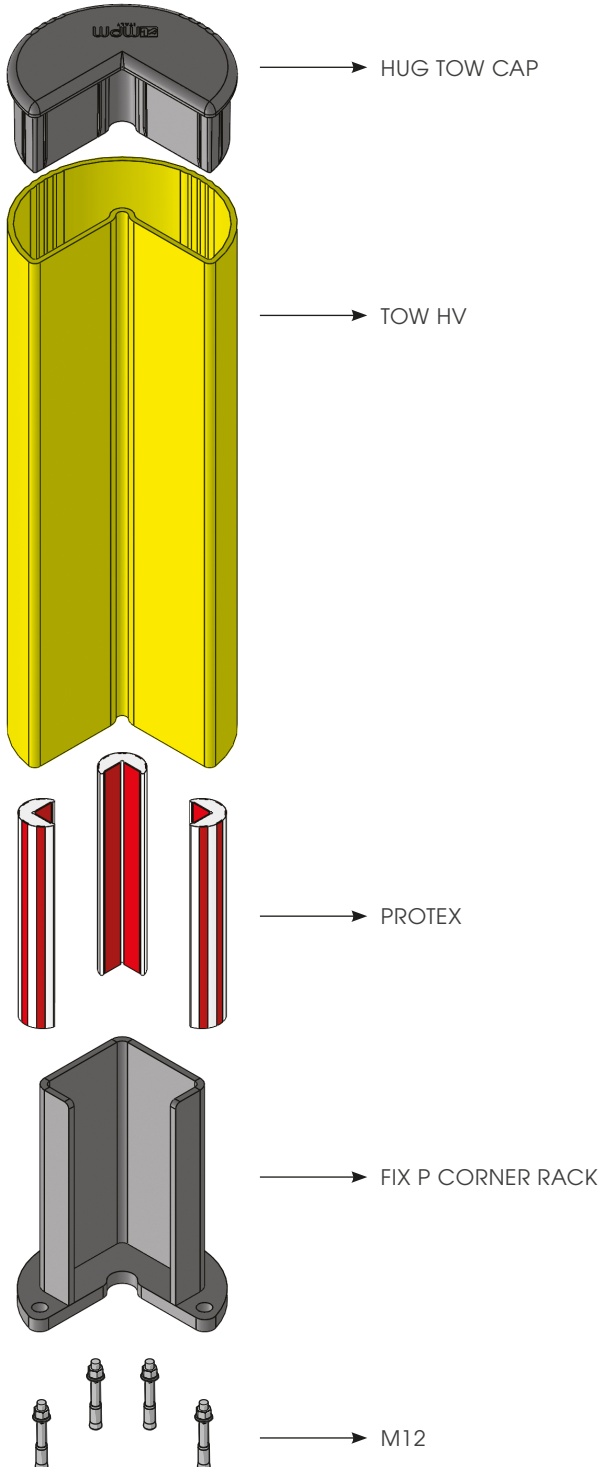


RACK CORNER

RACK CORNER



IMPACT TEST PASSED
according to
EN 15512:2009



RACK CORNER

ASSEMBLY INSTRUCTIONS

ONLY WITH MECHANICAL ANCHOR M12

