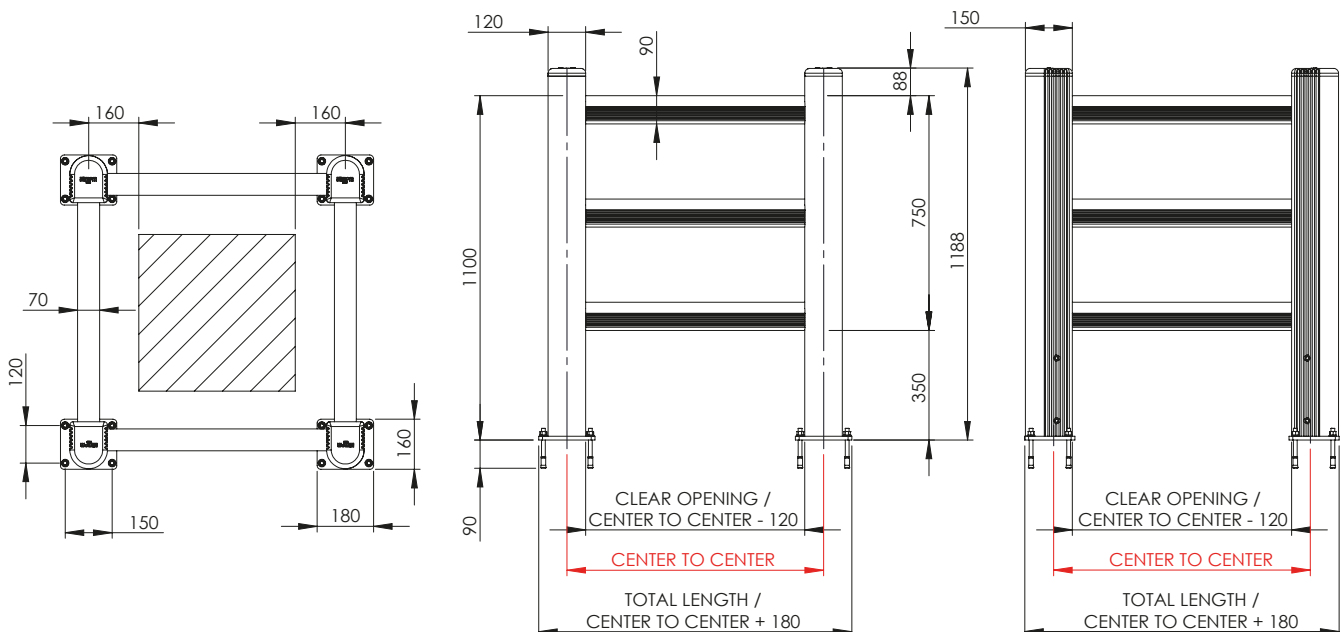
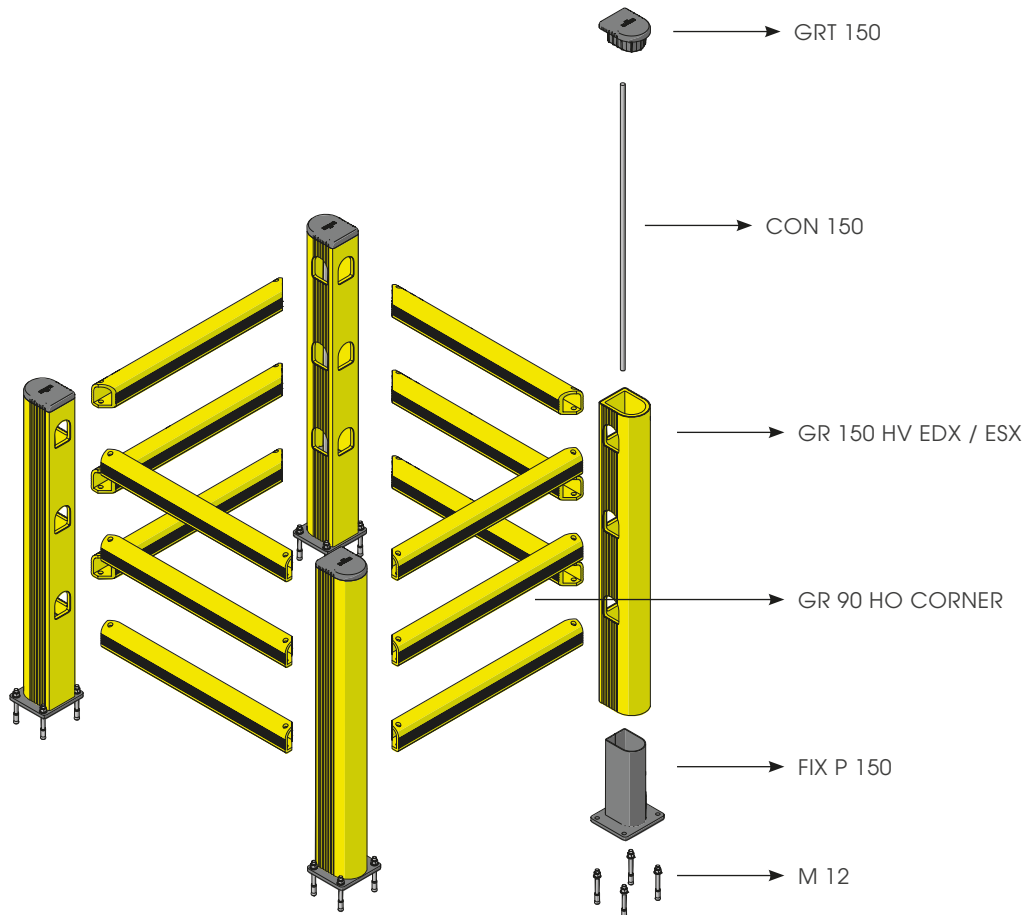


TOWER

COLUMN PROTECTION

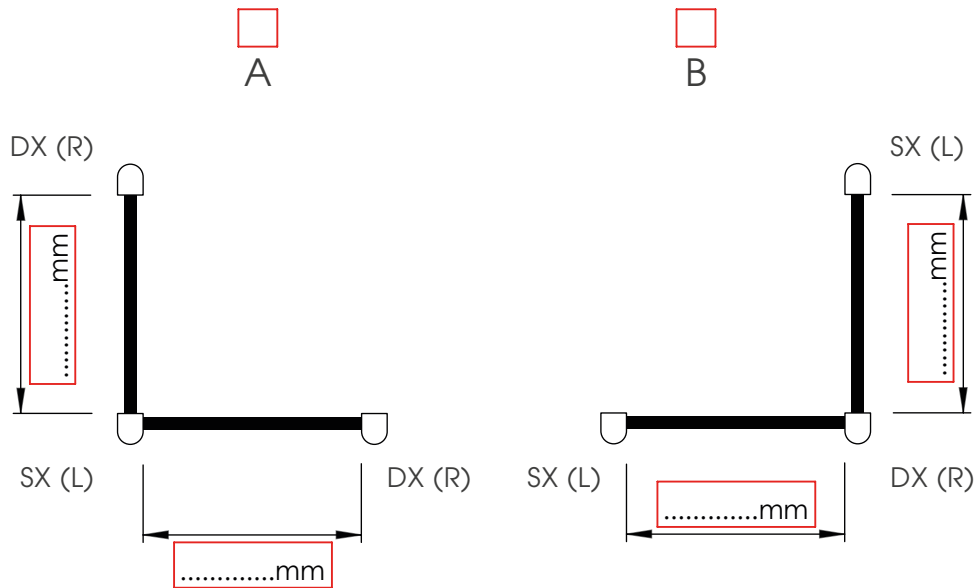


TOWER

COLUMN PROTECTION

PLEASE CHECK HERE BELOW
OTHER OPTIONS FOR ASSEMBLY

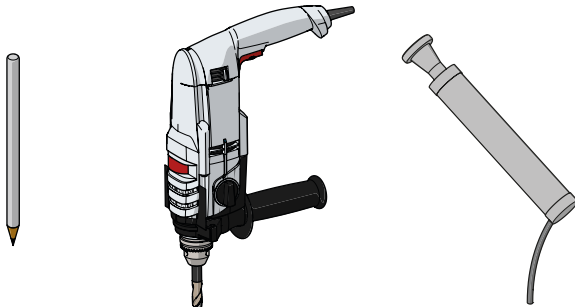
TWO SIDES OPEN



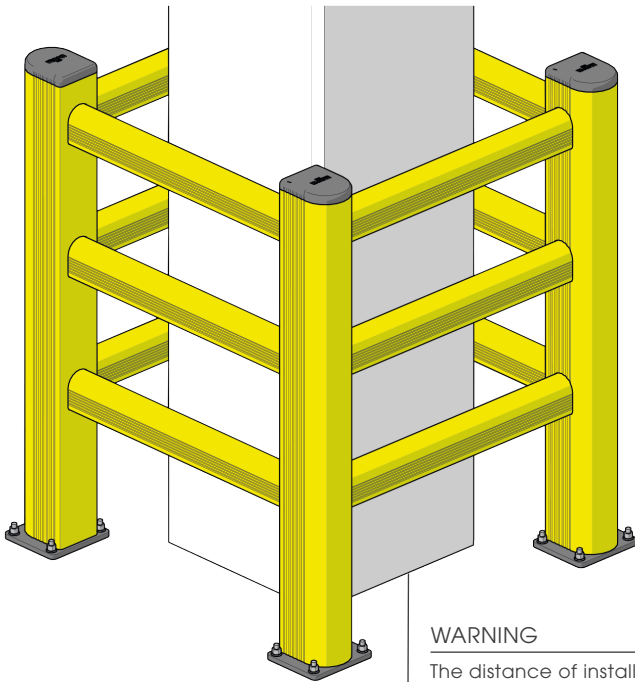
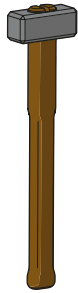
TOWER

ASSEMBLY INSTRUCTIONS

Ø12 mm



19

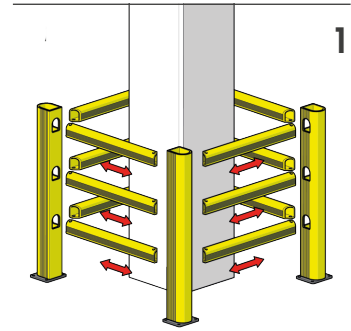


WARNING

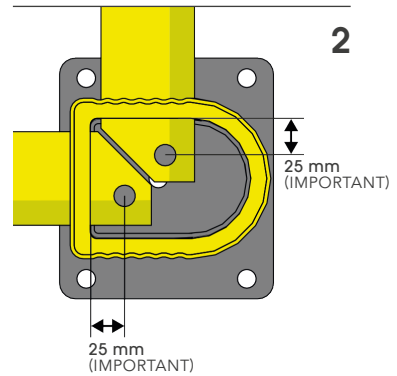
The distance of installation depends on speed and weight of vehicle

COLUMN

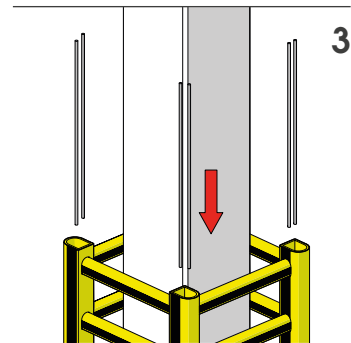
MIN 100mm*



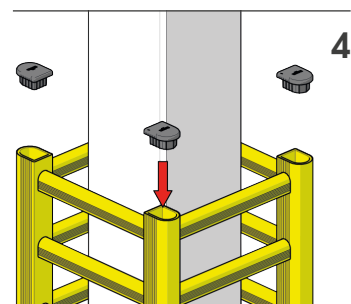
1



2



3



4

TOWER

ASSEMBLY INSTRUCTIONS

