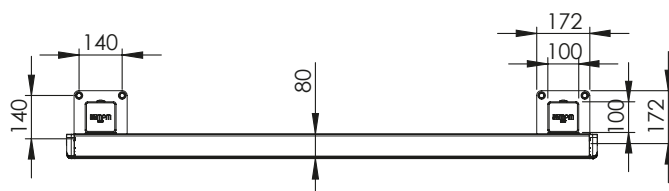
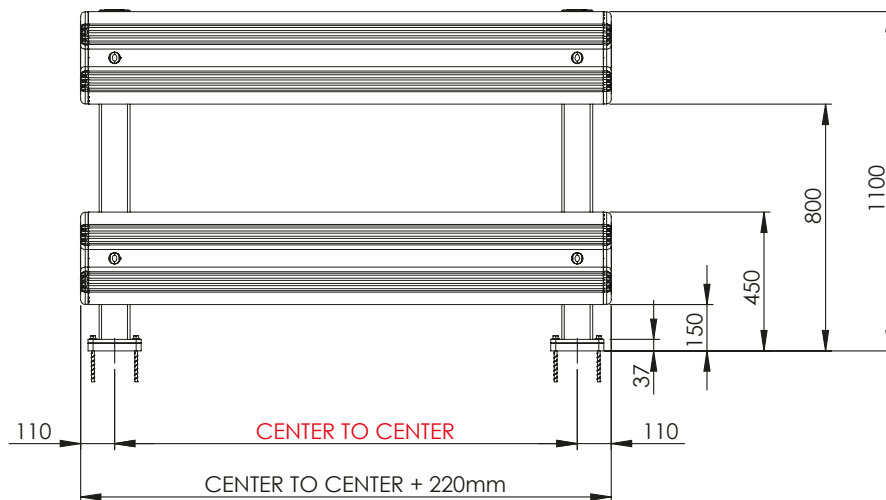
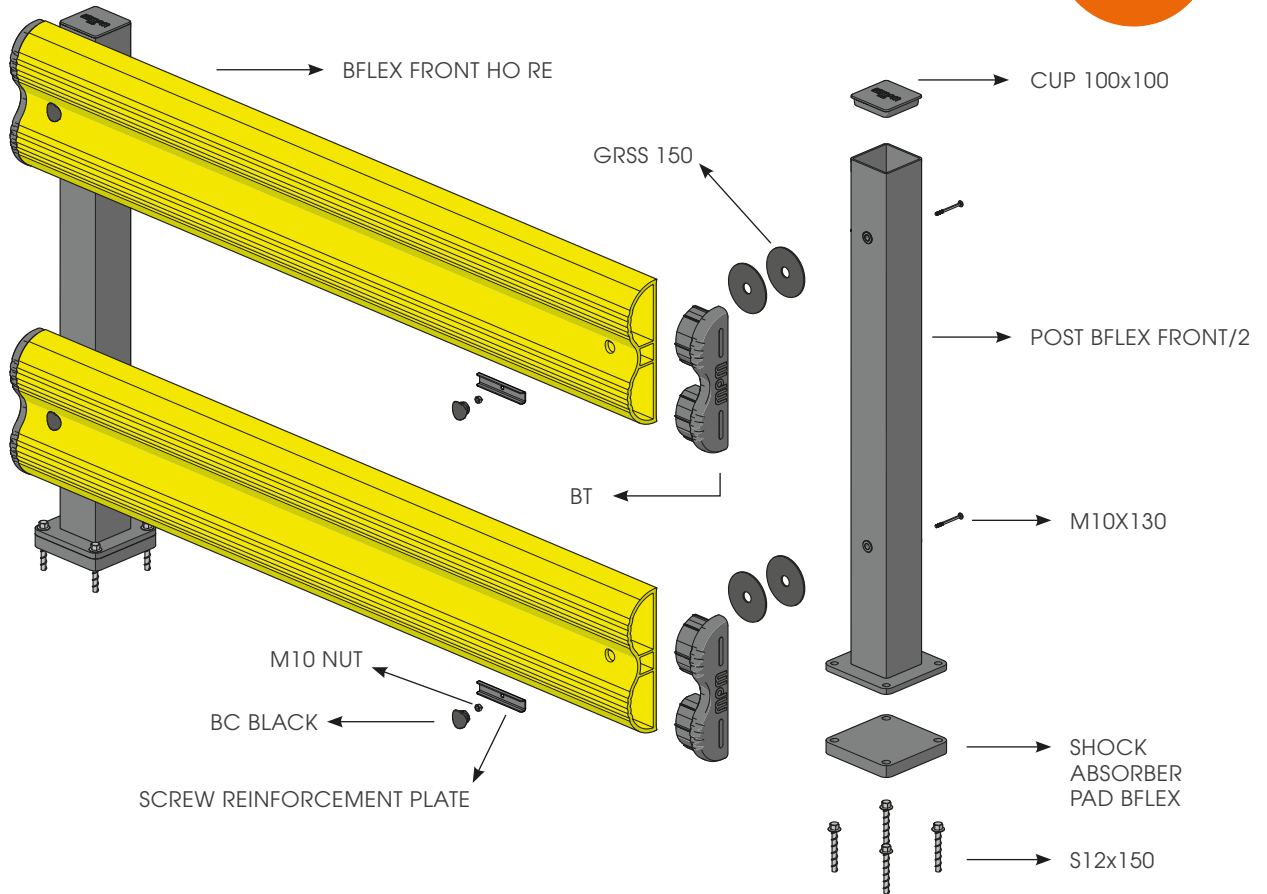


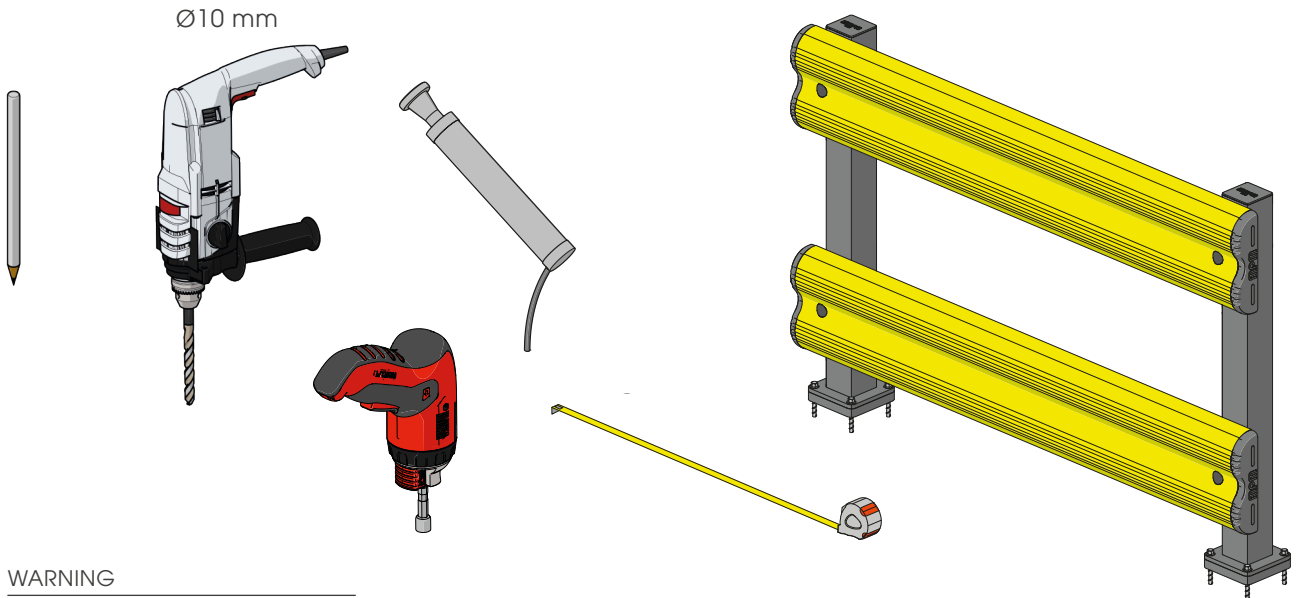
BFLEX.FRONT/2

FRONTAL DOUBLE RACK END BARRIER



BFLEX.FRONT/2

ASSEMBLY INSTRUCTIONS



WARNING

The distance of installation depends on speed and weight of vehicle

