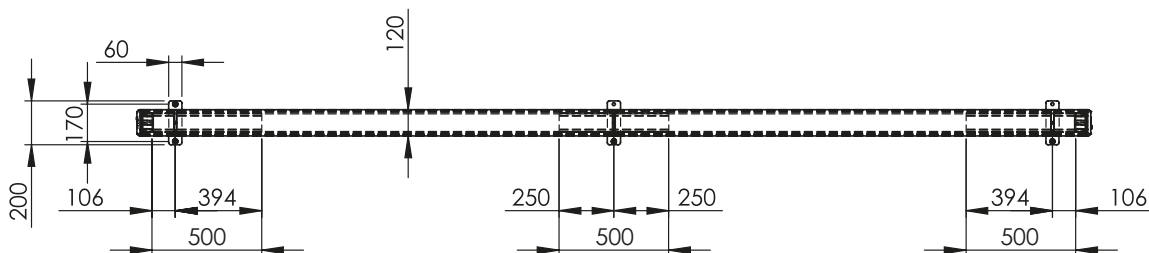
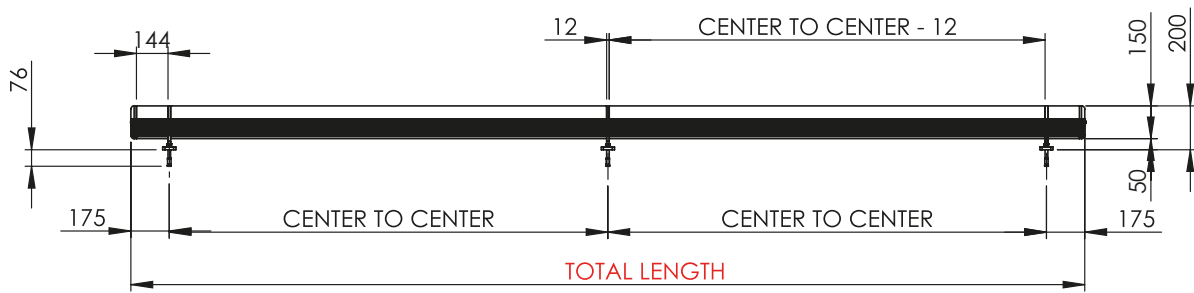
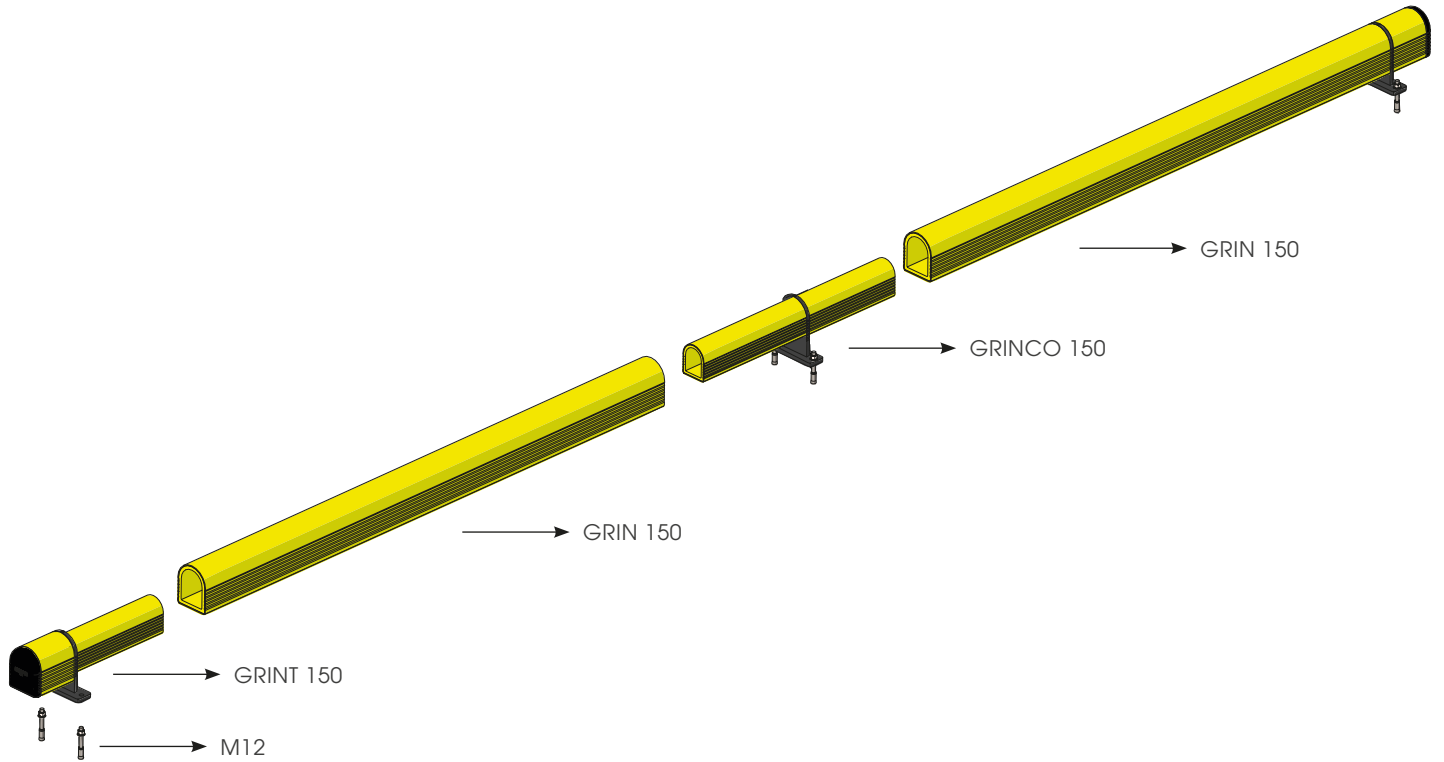


## GRIN 150

CONTINUOUS GUARD RAIL

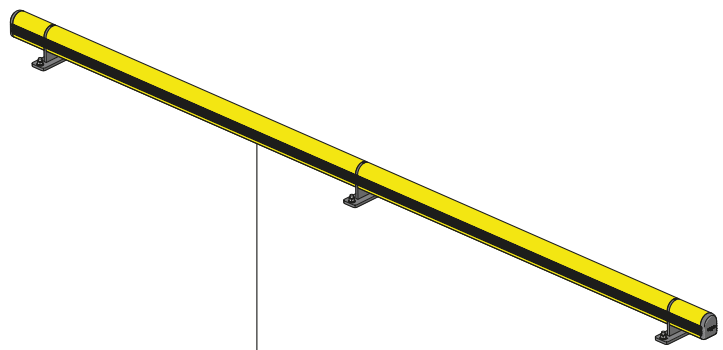
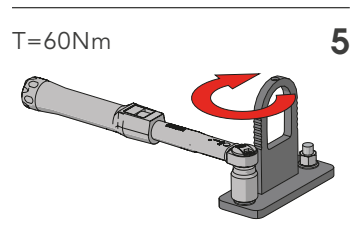
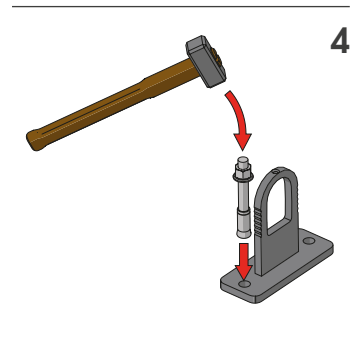
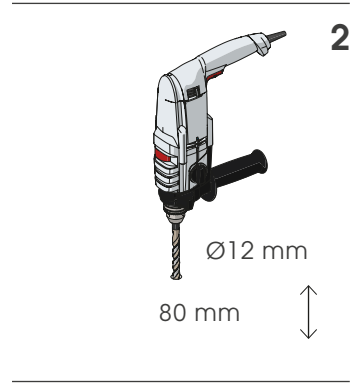
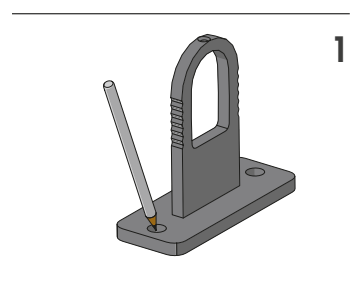


**IMPACT TEST PASSED**  
according to  
AFNORNP P98-310

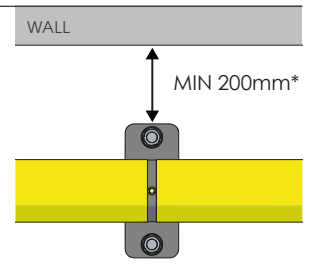


## GRIN 90/150

### ASSEMBLY INSTRUCTIONS



**WARNING**  
The distance of installation depends on speed and weight of vehicle



## GRIN 90/150

### ASSEMBLY INSTRUCTIONS

