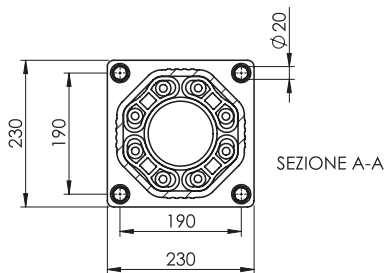
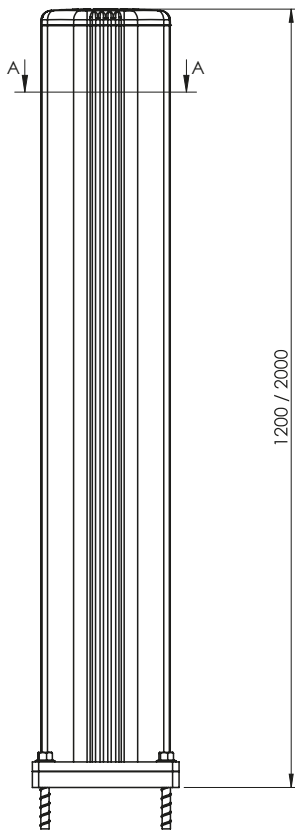


GRD 200

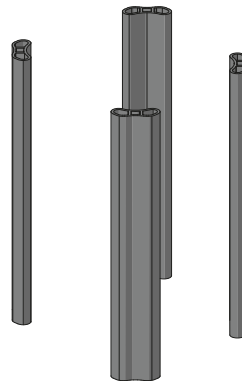
BOLLARD



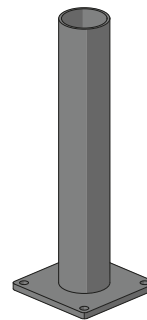
→ GRT 200



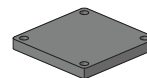
→ GR 200



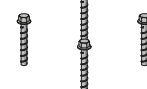
→ BUMPER 200



→ FIX P200



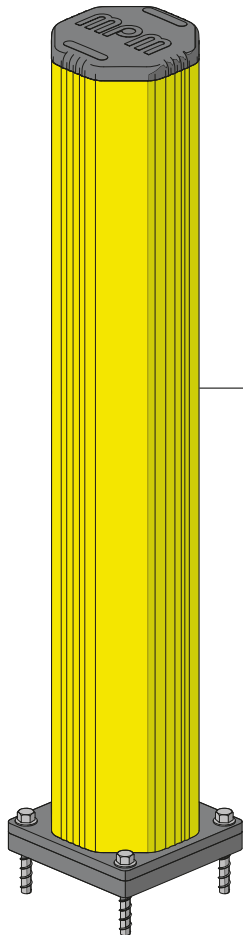
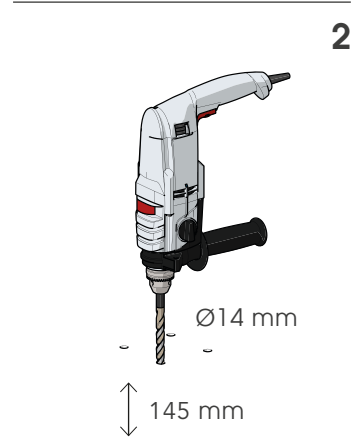
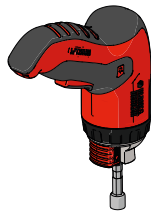
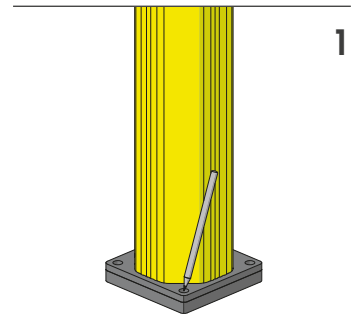
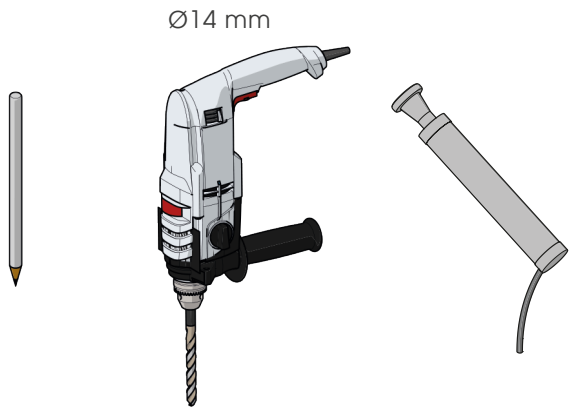
→ SHOCK ABSORBER PAD 200



→ S16

GRD 200

ASSEMBLY INSTRUCTIONS



WARNING
The distance of installation depends on speed and weight of vehicle

WALL

MIN 200mm*

