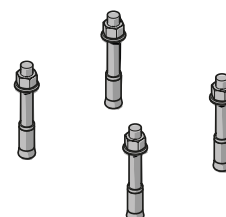
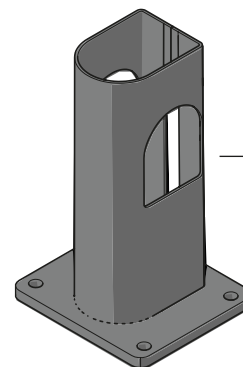
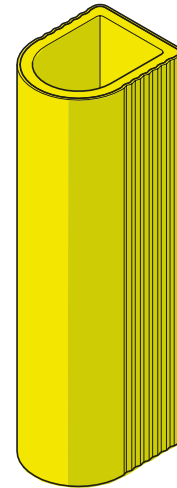
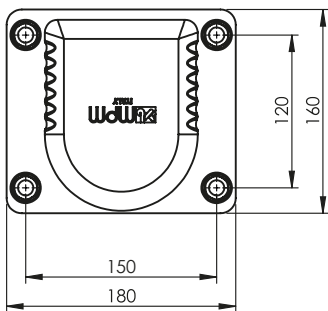
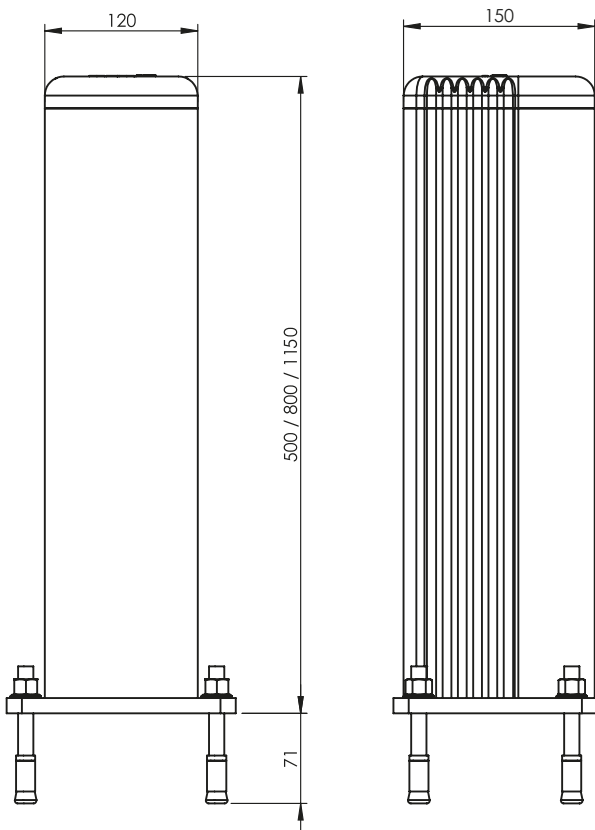


GRD 150

BOLLARD

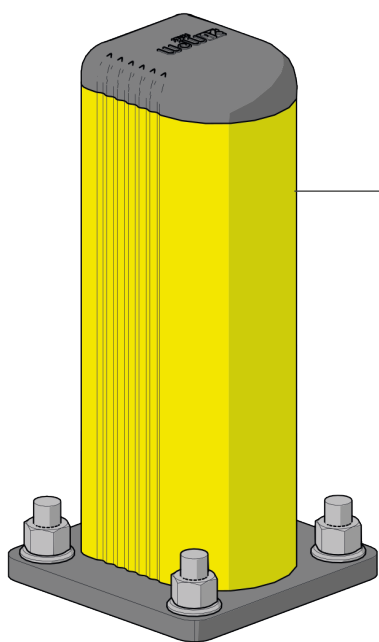
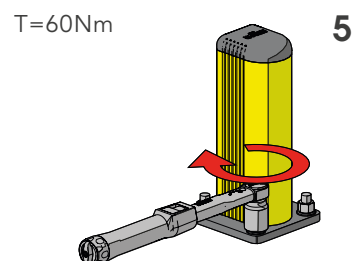
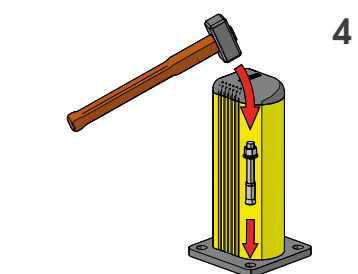
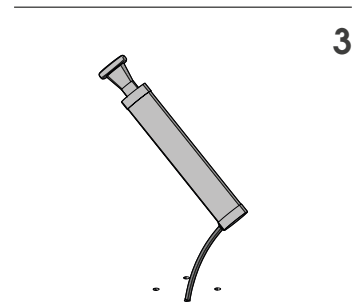
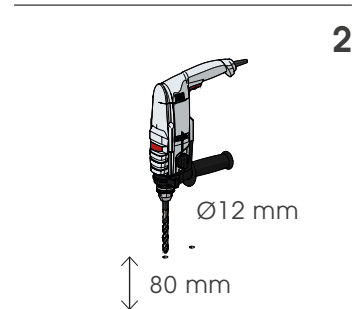
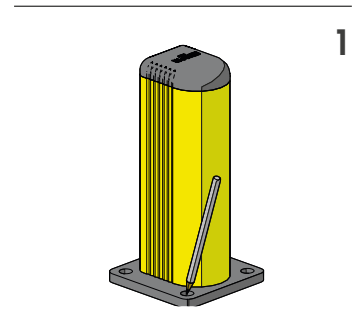


IMPACT TEST PASSED
according to
EN 15512:2009



GRD 90/150

ASSEMBLY INSTRUCTIONS



WARNING
The distance of installation depends on speed and weight of vehicle

