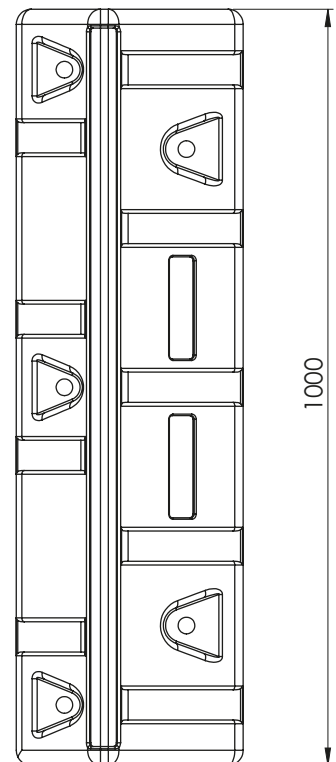
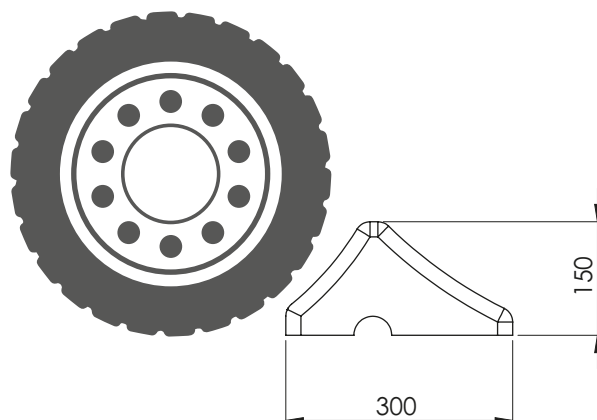
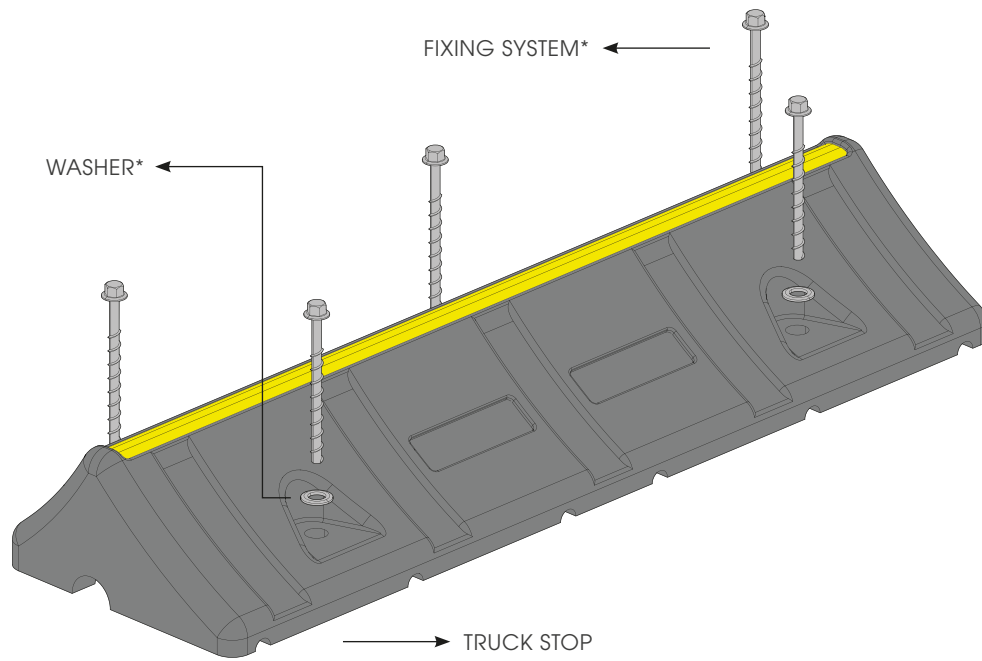


## TRUCK STOP

WHEEL STOP



### \*WARNING

The product is not equipped with fixing accessories.

# TRUCK STOP

## ASSEMBLY INSTRUCTIONS

